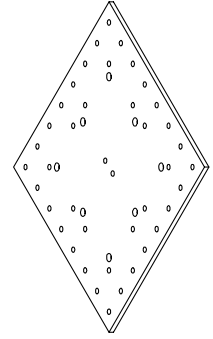
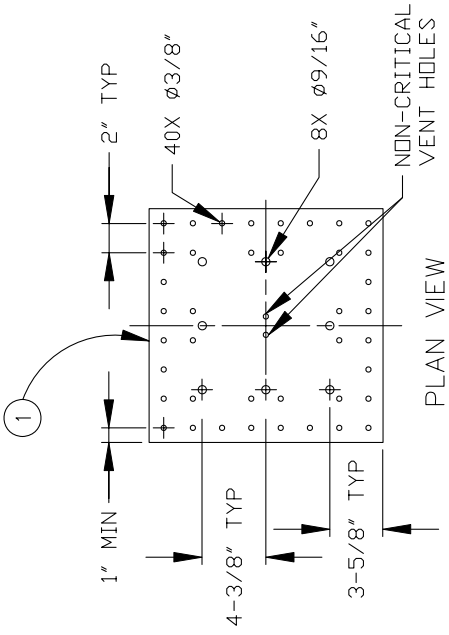


INSTALLATION INSTRUCTIONS			TITLE CB SERIES ROOF ANCHOR			
DESIGNED BY:	B. WOODYARD	1992	DWG NO. CB-12			
DRAWN BY:	PHIL GOMES	07/28/2004			A	NEW
CHECKED BY:	M. VOLLMER	03/31/2005	SCALE: NONE		SHEET: 1	
APPD BY:	M. VOLLMER	03/31/2005				

REVISIONS				
ZONE	REV	DESCRIPTION	DATE	APPROVED
	A	REDRAWN IN AUTOCAD.	06/04/2004	? .???????

**FUNCTION:**  
USED ON CB SERIES ANCHOR ASSEMBLIES REQUIRING A 16 INCH BASE PLATE.

**GENERAL NOTES:**  
BREAK ALL SHARP EDGES AND CORNERS, EXCEPT AS NOTED.  
SCALE DRAWING FOR NON-CRITICAL DIMENSIONS NOT SHOWN.  
WHERE CONFLICT BETWEEN ANSI Y14 AND THIS DRAWING EXISTS, THIS DRAWING SHALL PREVAIL.



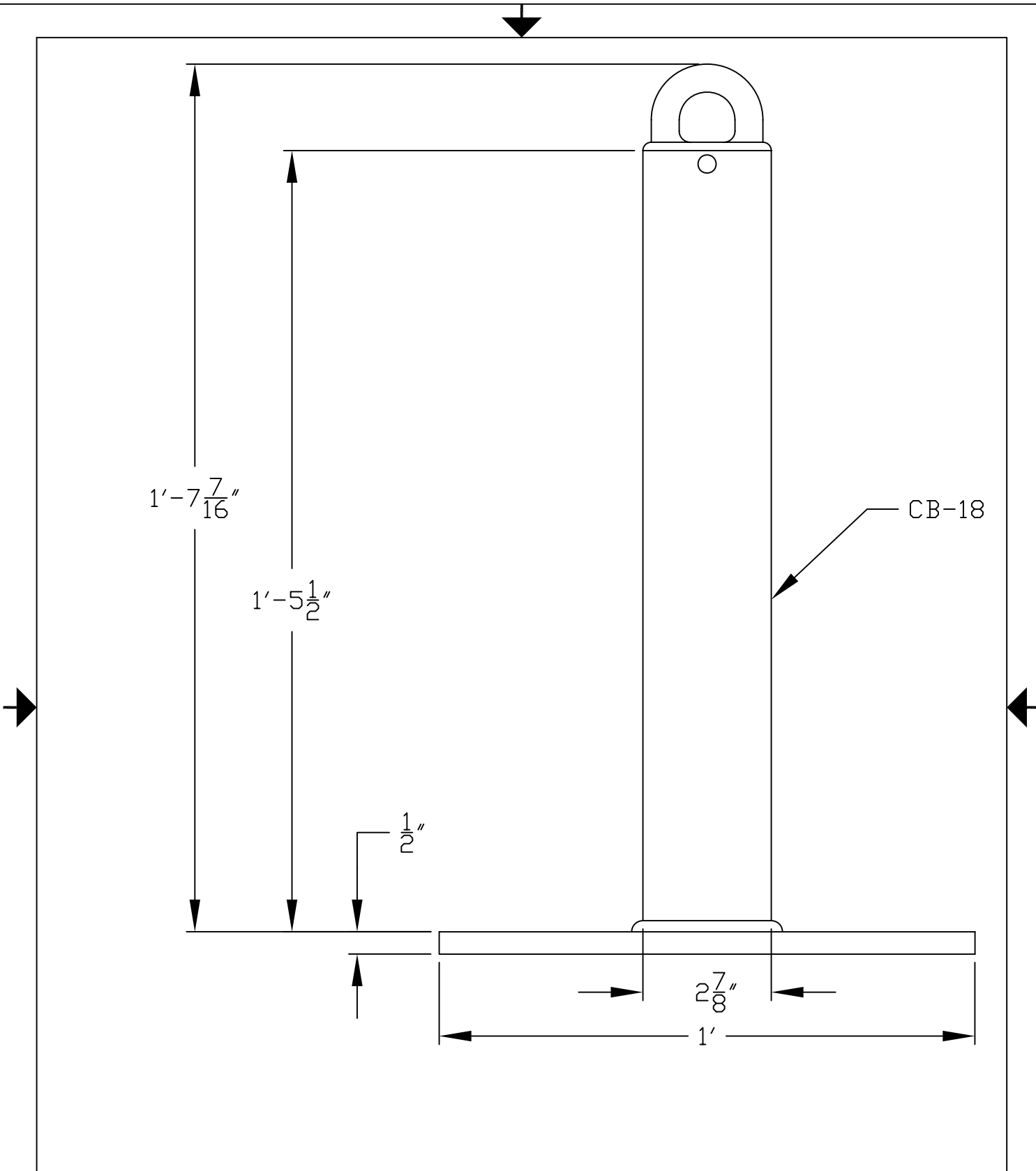
3D VIEW



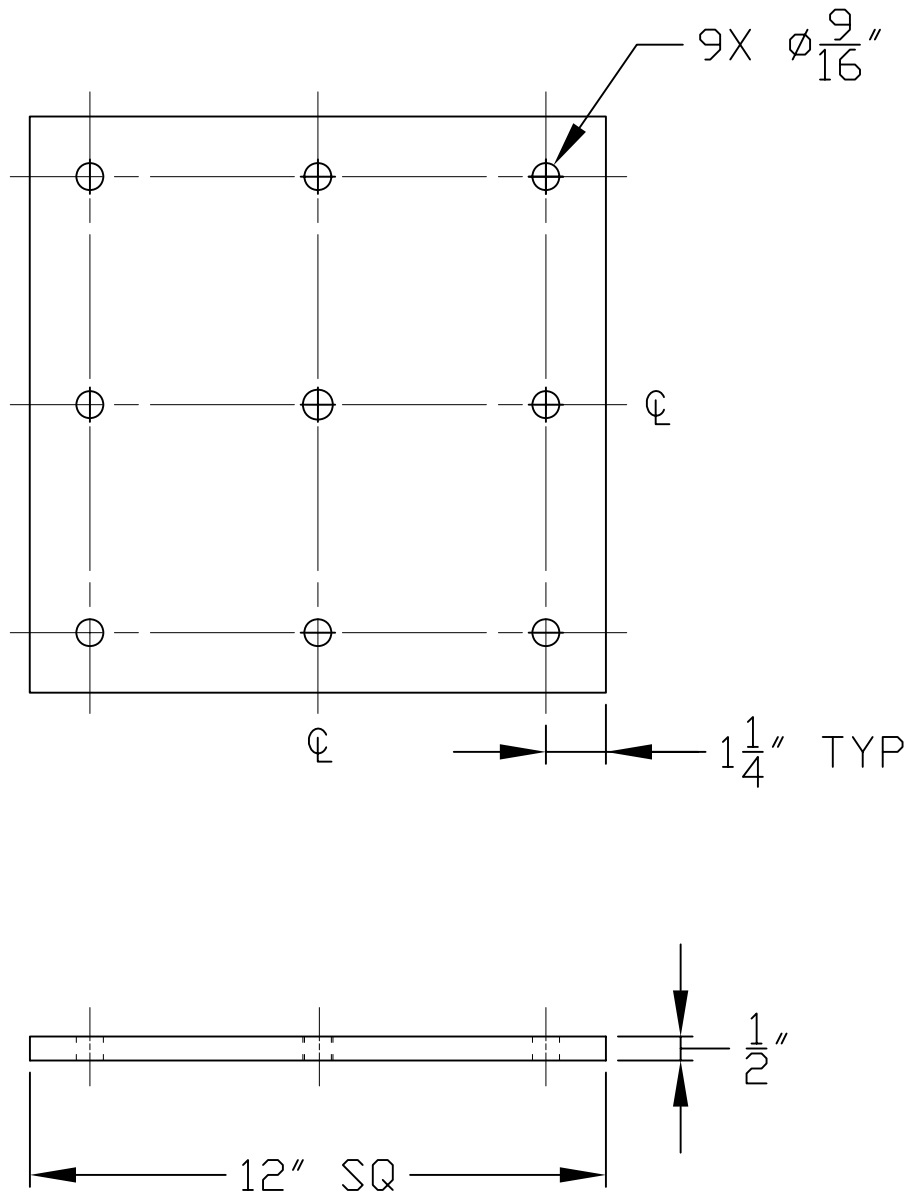
FRONT VIEW


PART NO/ISSY USED ON	1	1	BASE PLATE	HRS. ASTM A36	3/8 X 16 X 16	FINISHED SIZE
ALL DIMENSIONS IN INCHES	FRACTIONAL TOLERANCES: ± 1/16 UNLESS NOTED	ANGLES ± 1/4°	FINISH: 125	NAME OF DETAIL	TITLE	
DESIGNED BY:	DESIGNED BY:	DESIGNED BY:	??/??/????	GUARDIAN FALL PROTECTION		
DRAWN BY:	DRAWN BY:	DWG. NO.	06/04/2004	16 INCH BASE PLATE		
CHECKED BY:	CHECKED BY:	SCALE:	??/??/????	GFP16BASE		
APPD BY:	APPD BY:	SCALE:	??/??/????	SIZE	REV	SHEET: 1
				B	A	

THIS DRAWING CONTAINS PROPRIETARY AND CONFIDENTIAL INFORMATION. DUPLICATION, REPRODUCTION OR USE OF THIS DOCUMENT OR ITS CONTENTS IN ANY FORM OTHER THAN AS EXPRESSLY PERMITTED BY GUARDIAN FALL PROTECTION IS STRICTLY PROHIBITED.



INSTALLATION INSTRUCTIONS			TITLE CB SERIES ROOF ANCHOR			
DESIGNED BY:	B. WOODYARD	1992	DWG NO. CB-18			
DRAWN BY:	PHIL GOMES	12/06/2005	SCALE: NONE		SHEET: 1	
CHECKED BY:	M. VOLLMER	12/06/2005				
APPD BY:	M. VOLLMER	12/06/2005				



INSTALLATION INSTRUCTIONS			TITLE GUARDIAN BASE 12 INCH BASE PLATE			
DESIGNED BY:	B. WOODYARD	1992	DWG NO. GFP12BASE			
DRAWN BY:	PHIL GOMES	05/13/2005			A	NEW
CHECKED BY:	MATT VOLLMER	05/13/2005	SCALE: NONE		SHEET: 1	
APPD BY:	MATT VOLLMER	05/13/2005				