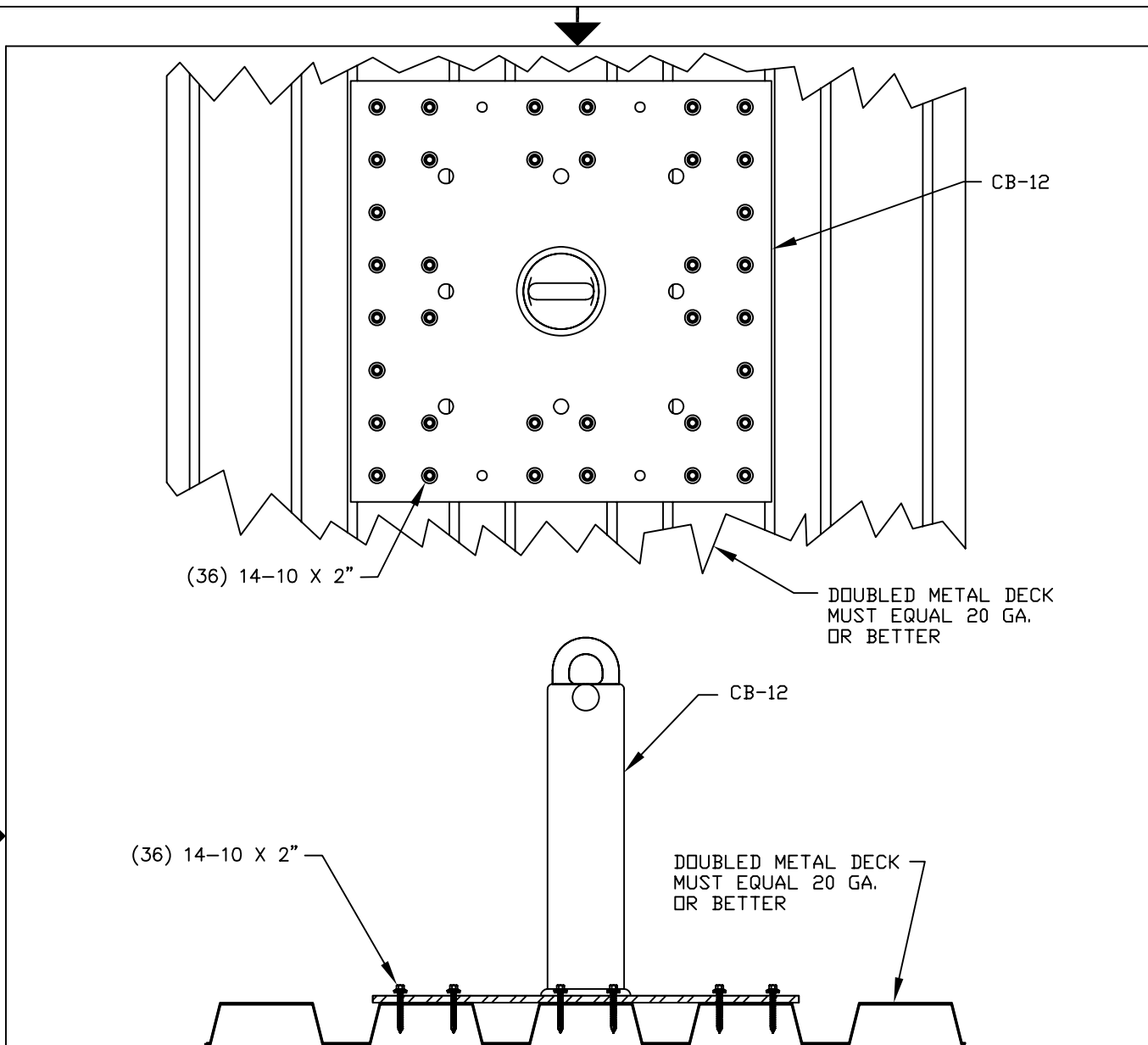


**How To Reinforce Roof Decking To Meet Installation Requirements:**

CB Series Anchors must be installed on a structure capable of withstanding a 5000 lb. load. The minimum roof decking must be 3/4" CDX plywood deck or better. If the wood decking is less than 3/4", additional material is required to provide sufficient strength to withstand the potential impact of a fall as required by OSHA. Additional material used in the following manner is recommended to meet the requirements of the fall protection anchor installation.

1. Secure two 1-1/2" x 2" x 6" or larger blocks to the existing structural joists or rafters using standard construction practices to ensure that the structure will withstand a 5000 lb. load.
2. Center the CB Series Anchor over the blocks and attach to the structure per standard CB Installation Instructions.

INSTALLATION INSTRUCTIONS			TITLE PLYWOOD ROOF DECK BACKING			
DESIGNED BY:	B. WOODYARD	1992	DWG NO.			
DRAWN BY:	PHIL GOMES	09/24/2004			A	NEW
CHECKED BY:	MATT VOLLMER	CHECKED DATE	SCALE: NONE		SHEET: 1	
APPD BY:	MATT VOLLMER	APPROVED DATE				



**How To Reinforce A Metal Deck To Meet Installation Requirements:**

It is required that CB Series Anchors be installed on a structure capable of withstanding a 5000 lb. load. The minimum metal decking must be 20 GA. or better. If the metal decking is less than 20 GA., additional material is required to provide sufficient strength to withstand the potential impact of a fall as required by OSHA.

Additional material used in the following manner will meet the requirements of the fall protection installation requirements:

1. Secure and tie into the roof structure an additional section of metal deck on top of the existing metal deck. The additional metal deck should be 48"x48" or larger, and the combined thickness shall be greater than 11ga. Use #14 or better deck screws 6" o.c. along the perimeter through the decking and into the roof structural member. Secure the decking in the field every 8" o.c. except directly under the CB anchor.
2. Center the CB Series Anchor on top of the 48" x 48" section and attach to the metal deck per standard CB Installation Instructions.

The deck screws selected must have a minimum pullout value of 550 lbs. or greater when installed per the fastener manufacturer's specifications.

Reference: Powers Fasteners Co.

INSTALLATION INSTRUCTIONS			TITLE CB SERIES ROOF ANCHOR			
DESIGNED BY:	B. WOODYARD	1992	DWG NO. CB-12			
DRAWN BY:	PHIL GOMES	07/28/2004			SCALE: NONE	A
CHECKED BY:	M. VOLLMER	CHECKED DATE			SHEET: 1	
APPD BY:	M. VOLLMER	APPROVED DATE				